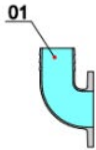
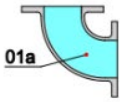


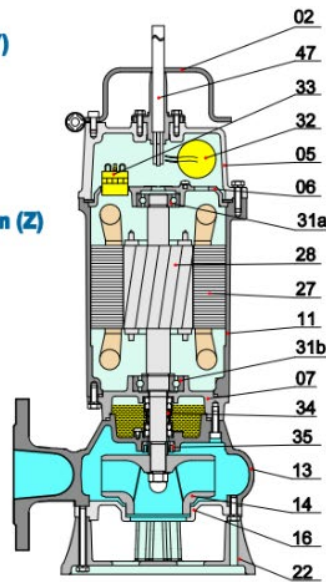
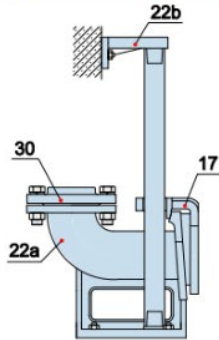
### Movable Soft Pipe Installation (R)



### Hard Pipe Installation(Y)

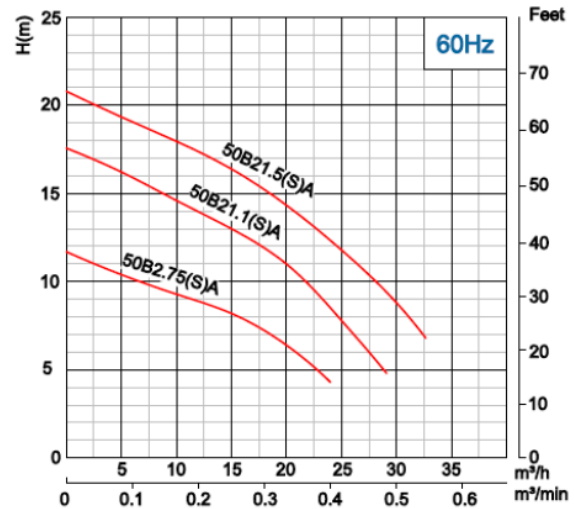
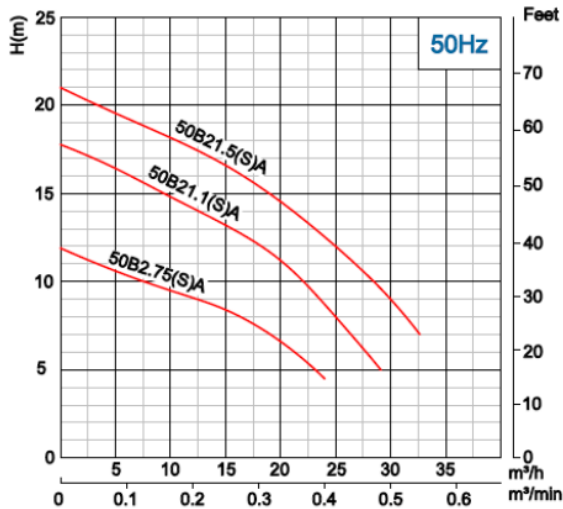


### Auto-coupled Installation (Z)



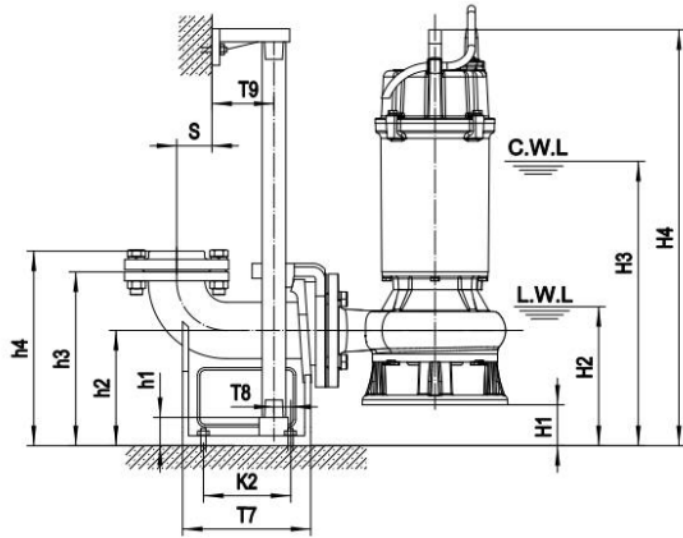
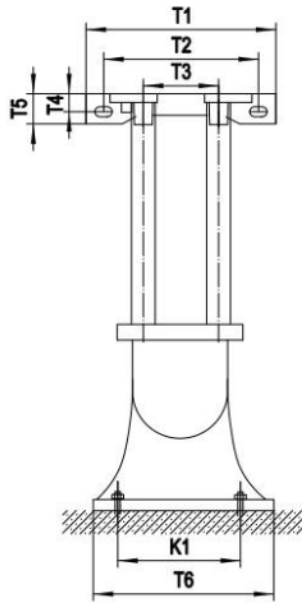
## Materials of construction

Item No.	Part name	Material
01	Hose coupling	Cast iron
01a	Hose coupling	Cast iron
02	Handle	Steel
05	Upper cover	Cast iron
06	Up-Bearing house	Cast iron
07	Bearing house	Cast iron
11	Motor body	Cast iron
13	Pump body	Cast iron
14	Impeller	Cast iron
16	Inlet plate	Cast iron
17	Coupling adapter	Cast iron
22	Seat assembly	Cast iron
22a	Coupling seat	Cast iron
22b	Upper guide support	Cast iron
27	Stator	
28	Rotor	Shaft : AISI304SS
30	Flange	Cast iron
31a	Bearing	Ball bearing
31b	Bearing	Ball bearing
32	Capacitor	(Single phase only)
33	Motor protector	
34	Mechanical seal	Sio-Ceram/Carbon-Ceramic
35	Oil seal	
47	Cable	



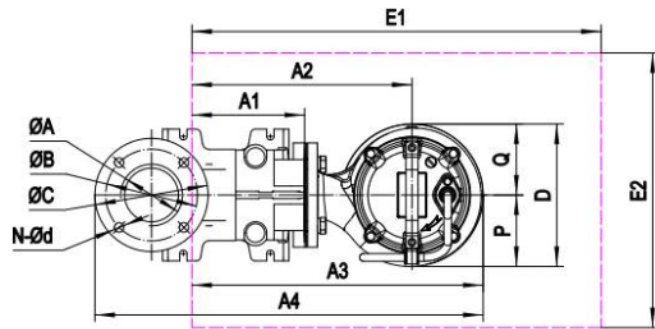
Model	Voltage	Current	Motor power		Outlet		Rated capacity	Rated head	Max capacity	Max Head	Impeller Passage	Cable
			kW	HP	in	mm						
50B2.75A	380	2	0.75	1	2	50	10	10	26	12	25	4G1.0
50B2.75SA	220	5.2	0.75	1	2	50	10	10	26	12	25	3G1.0
50B21.1A	380	2.8	1.1	1.5	2	50	8	15	29	18	20	4G1.0
50B21.1SA	220	7.2	1.1	1.5	2	50	8	15	29	18	20	3G1.0
65B21.1A	380	2.8	1.1	1.5	2½	65	15	10	33	15	25	4G1.0
65B21.1SA	220	7.2	1.1	1.5	2½	65	15	10	33	15	25	3G1.0
65B21.1AL	380	2.8	1.1	1.5	2½	65	25	8	41	13	25	4G1.0
65B21.1SAL	220	7.2	1.1	1.5	2½	65	25	8	41	13	25	3G1.0
50B21.5A	380	3.2	1.5	2	2	50	8	19	33	21	20	4G1.0
50B21.5SA	220	10	1.5	2	2	50	8	19	33	21	20	3G1.5

## Auto-Coupled Installation (Z)



C.W.L : Continuous running water level  
L.W.L : Lowest running water level

The coupling and pump will be packed individually, packing dimension and weight in table only refer to the pump, please refer to P58 to check coupling's packing dimension and weight.



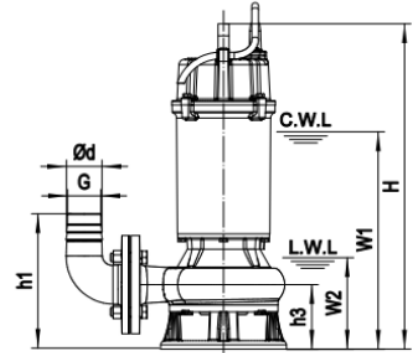
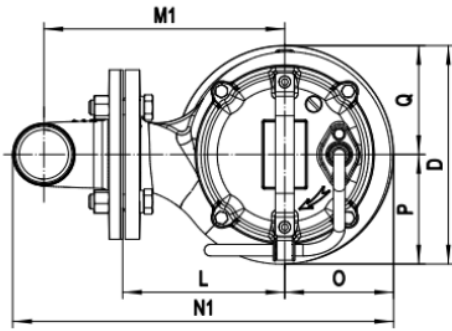
### Dimensions table

Auto coupling	ØA	ØB	ØC	N-Ød	T1	T2	T3	T4	T5	T6	T7	T8	T9	K1	K2	S	h1	h2	h3	h4
50-50(PN6)	Ø50 / G2"	110	140	4-Ø14	265	215	105	22	42	200	215	15	67	163	135	65	25	160	250	276
65-65(PN6)	Ø65 / G2½"	130	160	4-Ø14	280	235	125	25	50	230	235	20	70	190	155	90	25	170	265	291

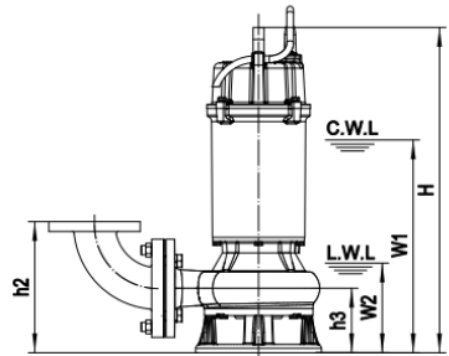
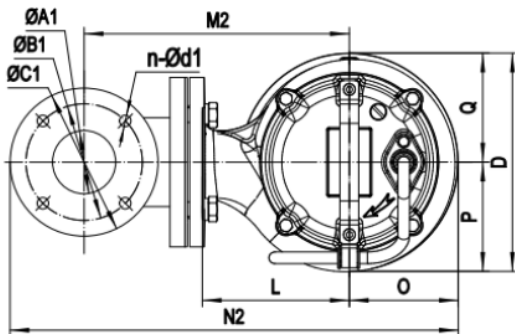
### Dimensions table

Model	Auto coupling	H1	H2	H3	H4	A1	A2	A3	A4	P	Q	D	E1×E2	Pump weight & packing dimension		
														N.W	G.W	Packing dimension
50B2.75A	50-50(PN6)	65	185	365	515	157	286	379	514	100	90	190	650×550	20	21.5	480×255×240
50B2.75SA	50-50(PN6)	65	185	380	515	157	286	379	514	100	90	190	650×550	21	22.5	480×255×240
50B21.1A	50-50(PN6)	68	188	393	532	157	291	381	516	90	90	180	650×550	22	23.5	495×255×240
50B21.1SA	50-50(PN6)	68	188	393	532	157	291	381	516	90	90	180	650×550	23.5	25	495×255×240
65B21.1A	50-50(PN6)	68	188	393	532	157	291	381	516	90	90	180	650×550	21	22.5	495×255×240
65B21.1SA	50-50(PN6)	68	188	393	532	157	291	381	516	90	90	180	650×550	22.5	24	495×255×240
65B21.1AL	65-65(PN6)	76	200	405	546	157	292	385	555	99	90	189	650×550	22.5	24	495×255×240
65B21.1SAL	65-65(PN6)	76	200	405	546	157	292	385	555	99	90	189	650×550	24	25.5	495×255×240
50B21.5A	50-50(PN6)	68	188	413	552	157	291	381	516	90	90	180	650×550	24.5	26	515×255×240
50B21.5SA	50-50(PN6)	68	188	413	552	157	291	381	516	90	90	180	650×550	27	28.5	515×255×240
65B21.5A	50-50(PN6)	68	188	413	552	157	291	381	516	90	90	180	650×550	22.5	24	515×255×240
65B21.5SA	50-50(PN6)	68	188	413	552	157	291	381	516	90	90	180	650×550	25.5	27	515×255×240
65B21.5AL	65-65(PN6)	76	200	425	566	157	292	385	555	99	90	189	650×550	24	25.5	515×255×240
65B21.5SAL	65-65(PN6)	76	200	425	566	157	292	385	555	99	90	189	650×550	27	28.5	515×255×240

## Movable Soft Pipe Installation (R)



## Hard Pipe Installation(Y)



C.W.L : Continuous running water level  
L.W.L : Lowest running water level

## Dimensions table

Model	Ød	G	ØA1	ØB1	ØC1	n-Ød1	h1	h2	h3	W1	W2	H	O	P	Q	L	D	M1	M2	N1	N2
50B2.75A	50	1½"	50	110	140	4-Ø14	200	195	95	300	120	450	93	100	90	129	190	195	231	314	394
50B2.75SA	50	1½"	50	110	140	4-Ø14	200	195	95	315	120	450	93	100	90	129	190	195	231	314	394
50B21.1A	50	1½"	50	110	140	4-Ø14	197	192	92	325	120	464	90	90	90	134	180	200	236	316	396
50B21.1SA	50	1½"	50	110	140	4-Ø14	197	192	92	325	120	464	90	90	90	134	180	200	236	316	396
65B21.1A	65	2"	50	130	160	4-Ø14	212	192	92	325	120	464	90	90	90	134	180	200	236	323	406
65B21.1SA	65	2"	50	130	160	4-Ø14	212	192	92	325	120	464	90	90	90	134	180	200	236	323	406
65B21.1AL	65	2"	65	130	160	4-Ø14	214	214	94	325	120	470	93	99	90	135	192	207	257	332	430
65B21.1SAL	65	2"	65	130	160	4-Ø14	214	214	94	325	120	470	93	99	90	135	192	207	257	332	430
50B21.5A	50	1½"	50	110	140	4-Ø14	197	192	92	345	120	484	90	90	90	134	180	200	236	316	396
50B21.5SA	50	1½"	50	110	140	4-Ø14	197	192	92	345	120	484	90	90	90	134	180	200	236	316	396
65B21.5A	65	2"	50	130	160	4-Ø14	212	192	92	345	120	484	90	90	90	134	180	200	236	323	406
65B21.5SA	65	2"	50	130	160	4-Ø14	212	192	92	345	120	484	90	90	90	134	180	200	236	323	406
65B21.5AL	65	2"	65	130	160	4-Ø14	214	214	94	345	120	490	93	99	90	135	192	207	257	332	430
65B21.5SAL	65	2"	65	130	160	4-Ø14	214	214	94	345	120	490	93	99	90	135	192	207	257	332	430

## Weights & Packing dimensions

Model	R			Y		
	N.W	G.W	Packing dimension	N.W	G.W	Packing dimension
	kg	kg	mm	kg	kg	mm
50B2.75A	22	23.5	480×255×240	24	25.5	480×265×310
50B2.75SA	23	24.5	480×255×240	25	26.5	480×265×310
50B21.1A	24	25.5	495×255×240	26	27.5	495×265×310
50B21.1SA	25.5	27	495×255×240	26.5	29	495×265×310
65B21.1A	24	25.5	495×255×240	28	29.5	495×265×310
65B21.1AL	25.5	27	495×255×240	28.5	30	495×265×310
65B21.1SAL	27	28.5	495×255×240	30	31.5	495×265×310

Model	R			Y		
	N.W	G.W	Packing dimension	N.W	G.W	Packing dimension
	kg	kg	mm	kg	kg	mm
65B21.1SA	25.5	27	495×255×240	29.5	31	495×265×310
50B21.5A	26.5	28	515×255×240	28.5	30	515×265×310
50B21.5SA	29	30.5	515×255×240	31	32.5	515×265×310
65B21.5A	25.5	27	515×255×240	27.5	29	515×265×310
65B21.5SA	28.5	30	515×255×240	32.5	34	515×265×310
65B21.5AL	27	28.5	515×255×240	30	31.5	515×265×310
65B21.5SAL	30	31.5	515×255×240	33	34.5	515×265×310